

SCL1000 STAND-ON COMPACT LOADER

ENGINE

| | |
|--------------------------------|-----------------------------------------------------------------------|
| Engine Type | Water cooled 4 cycle diesel engine with 3 cylinder, turbo, EPA Tier 4 |
| Model Name | KUBOTA D902-T |
| Total Displacement | 54.8 cu.in. (898 cm ³) |
| Engine Power - SAE J1995 Gross | 24.8 HP (18.5 kW/rpm) |
| Rated Speed | 2800 rpm |
| Low Idling Speed | 1250 rpm |

DIMENSIONS

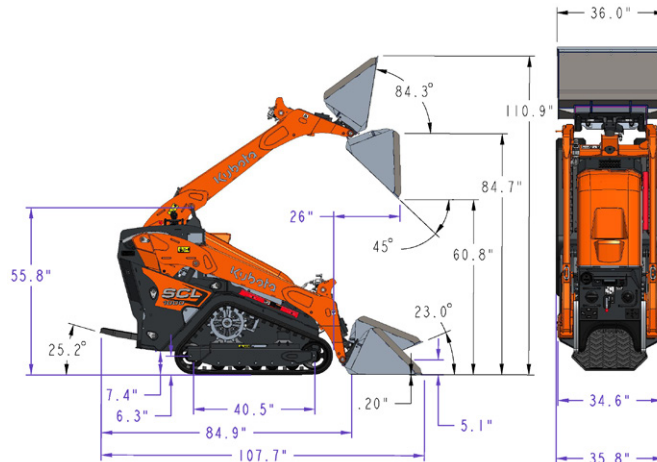
| | |
|--------------------------------------------------------------|-----------------------|
| Overall Length - Transport (w/Std Bucket Parallel to Ground) | 107.7" (2.74 m) |
| Overall Length (w/o Bucket) | 84.9" (2.16 m) |
| Overall Height | 55.7" (1.41 m) |
| Overall Width w/Std Bucket | 36" (91.44 cm) |
| Operating Weight (w/o Operator) lbs | 3,035 (1,376 kg) |
| Rated Operating Capacity (35%) | 1,000 lb (453 kg) ROC |
| Tipping Load | 2,857 lbs (1296 kg) |
| Wheelbase | 40.5" (1.03 m) |
| Hinge Pin Height at Max. Lift | 84.7" (2.15 m) |
| Reach at Max. Lift and 45° Dump | 26" (66 cm) |
| Track Width | 9.8" (24.9 cm) |
| Ground Clearance | 7.4" (18.8 cm) |
| Angle of Departure | 25.2° |

PERFORMANCE

| | |
|---------------------------------|---------------------------------------------------------|
| Attachment Mounting System | CII (Common Industry Interface) or 2 Lever Quick-Attach |
| Travel Speed (Fwd/Rev) | 4.9 mph (7.9 km/h) |
| Ground Pressure (with Operator) | 4.0 psi, 28.0 kPa (0.28 kgf/cm ²) |
| Battery Capacity | 12V, RC 80, 540 CCA |
| Auxiliary Hydraulic Flow | 15 gal/min (56.7812 L/min) |
| Auxiliary Hydraulic Pressure | 2800 psi (19.3 mPa) (196.8 kgf/cm ²) |

SERVICE & FILL CAPACITIES

| | |
|--------------------|-------------------|
| Fuel Tank Capacity | 7.75 gal (29.3 L) |
| Hydraulic System | 6 gal (22.7 L) |



KubotaUSA.com

© 2020 Kubota Tractor Corporation

Kubota Tractor Corporation reserves the right to change the stated specifications without notice. The comparisons are for descriptive purposes only and does not provide any express or implied warranty of any nature, including any warranty of merchantability or for a particular purpose. For complete operational information, the operator's manual should be consulted. Kubota Tractor Corporation supplies products and services to United States residents only. For information regarding Kubota products or services outside the United States, see Kubota Corporation's global website. 9/17/20